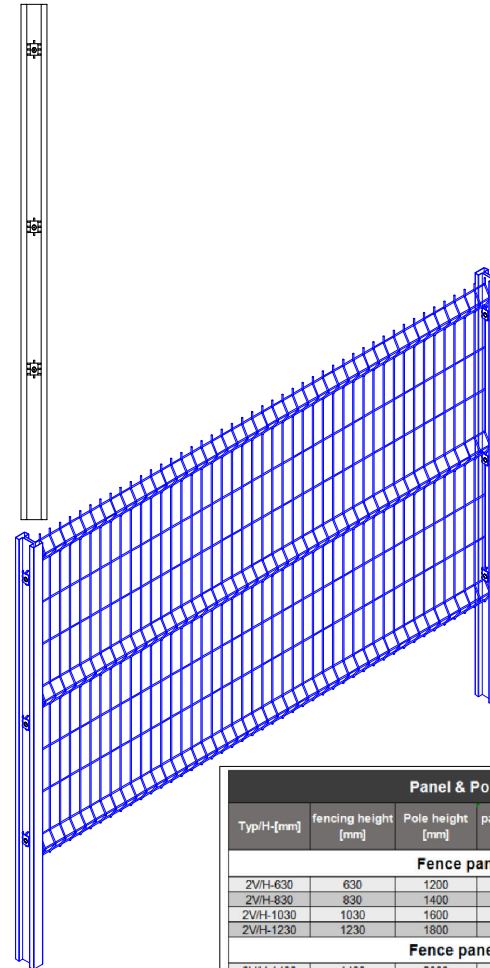


A (1:16)



Panel & Pole Fencings Standard Dimensions						
Typ/H-[mm]	fencing height [mm]	Pole height [mm]	panel V bending number	number of fastenings on the posts	mesh size [mm]	wire diameter ø[mm]
Fence panels type 2V-(two reinforcements)						
2V/H-630	630	1200	2	2	50*200	4,0 5,0
2V/H-830	830	1400	2	2	50*100	
2V/H-1030	1030	1600	2	2	55*200	
2V/H-1230	1230	1800	2	2	55*100	
Fence panels type 3V-(three reinforcements)						
3V/H-1430	1430	2000	3	3	50*200 50*100 55*200 55*100	4,0 5,0
3V/H-1530	1530	2100	3	3		
3V/H-1630	1630	2200	3	3		
3V/H-1730	1730	2300	3	3		
3V/H-1830	1830	2400	3	3		
3V/H-1930	1930	2500	3	3		
Fence panels type 4V-(four reinforcements)						
4V/H-2030	2030	4	4	4	50*200	4,0 5,0
4V/H-2130	2130	4	4	4	50*100	
4V/H-2230	2230	4	4	4	55*200	
4V/H-2430	2430	4	4	4	55*100	
4V/H-2530	2530	4	4	4	55*100	

Remark:

1. All the number is calculated by mm;
2. Finish: galvanized and Akzonobel powder coating;
3. Color: as the buyer requiriement;
4. post: small H post: 50*70mm
big H post: 50*100mm

HUA GUANG FENCE	Drawer 制图	Checking 审核	PI No. 合同号	Date 日期	28 years factory, 10 years quality warranty
	杜文艳 Vera				Tel 00863187977968: Fax00863187977965: Wechat/whatsapp008615369909785 : E-mail : sales@wiremesh-fencing.com www.wiremesh-fencing.com